

PS45 Classic
PS45 Leg Model
PS45 Pedestal



Warmland

ENGINEERED AND BUILT BY PACIFIC ENERGY

HIGH
PERFORMANCE

RELIABILITY

ENVIRONMENTALLY
FRIENDLY



Warmland

PS45 Pellet Stoves

PS45 Classic
 PS45 Pedestal
 PS45 Leg Model

Warmland is the English translation of Cowichan, the name the indigenous people gave the valley where Pacific Energy has been building world class hearth products for over thirty years.

- Features**
- BTU range from 12,000 to 45,000
 - Large ash drawer for convenient ash removal
 - Automatic fuel ignition system
 - Heavy duty heat exchanger for extended reliability
 - 600 sq. inches of heat exchanger rectangular tubing for maximum heat output
 - Built in heat exchanger cleaner
 - Easy opening hopper lid with safety shut-off switch
 - Knife edge door seal ensures air tight firebox
 - Low maintenance, sealed bearing 180 cfm variable speed blower for heat distribution
 - 3 or 4 inch venting capability
 - Limited Lifetime Warranty for peace of mind
 - Mobile home approved
 - Self cleaning firepot



PS45 Classic
 (Hopper Capacity up to 50 lbs.)

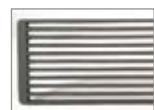
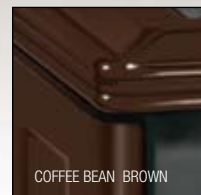
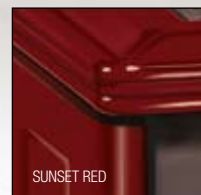


PS45 Pedestal
 (Hopper Capacity up to 85 lbs.)



PS45 Leg Model
 (Hopper Capacity up to 85 lbs.)

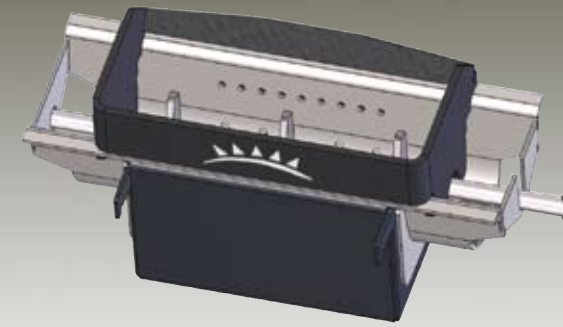
The PS45 Classic is available in four Porcelain Colours and three Trivet finishes



BTU Range	Low 12,000 High 45,000
Hopper Capacity (PS45 leg or Pedestal models)	Up to 85 lbs
Hopper Capacity (PS45 Classic models)	Up to 50 lbs
Efficiency (LHV)	87%
Emissions	1.84 gr/hr
Heating Capacity up to	2,000 sq.ft.

Performance will vary with quality of fuel.

Warmland
 PS45 Pellet Stoves



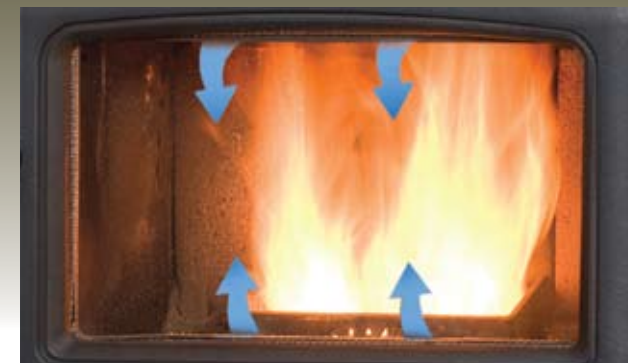
Self Cleaning Natural Flame Firepot

- Burns virtually any quality of wood pellets
- Automatic Firepot Cleaner
- Wider firepot delivers rich full flames



Easy to use Digital Controls

- Simple 3-mode operation : automatic, Hi/Low, manual
- Convenient 5 level heat control
- Optional wall thermostat capable operation



Dual Air Wash System

Clean glass airwash technology ensures your view of Warmland's signature robust flames.

Accessorize your Warmland Pellet Stove



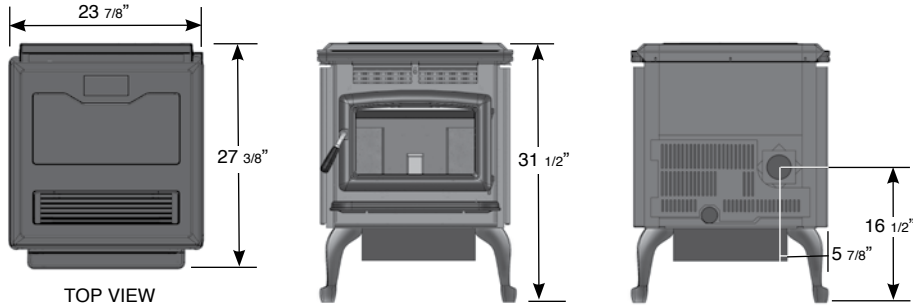
- Choose from 4 door finishes and 2 door styles (All models)
- Choose from 4 leg finishes (PS45 Classic and PS45 Leg model)
- Choose either a pedestal or leg option (Pedestal not available for PS45 Classic model)

PS45 Classic
 PS45 Leg Model
 PS45 Pedestal

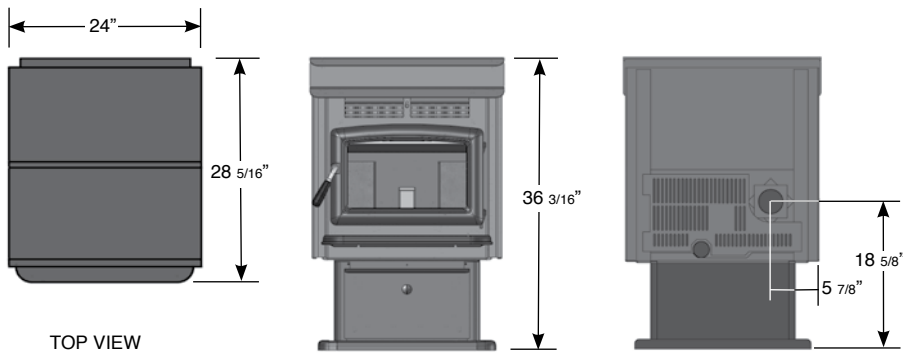


Dimensions

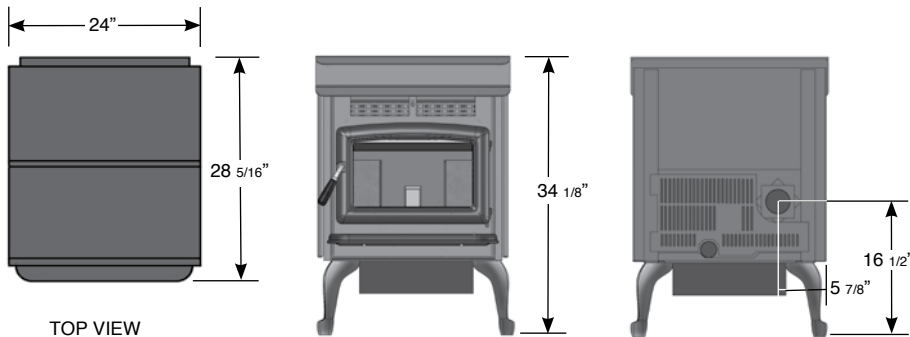
PS45 Classic



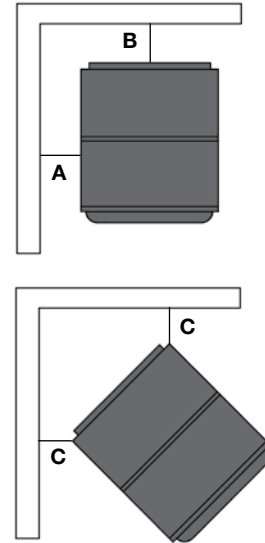
PS45 Pedestal



PS45 Leg Model

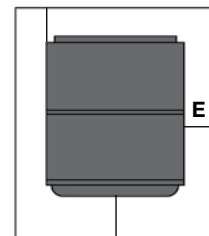


Minimum Clearances to Combustible Materials



- A. Sidewall to Unit 6 in / 152 mm
- B. Backwall to Unit 3 in / 76 mm
- C. Corner to Unit 3 in / 76 mm

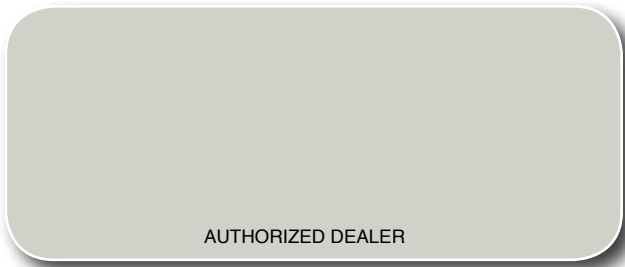
Minimum Non-combustible Floor Protection Distances



- D. 6 in / 152 mm
- E. 3 in / 76 mm
- F. 3 in / 76 mm

Limited Lifetime Warranty

For complete details visit pacificenergy.net



AUTHORIZED DEALER



PS45 Pellet Stoves