

# KITCHEN

## DEVA COOKSTOVE

Serving much more than function, the kitchen has always been the heart of your home, a concept that inspired HearthStone to create a wood-fired cookstove that is anything but ordinary.

From the classic good looks of its durable, solid cast-iron-with-nickel-trim construction to the contemporary performance of its state-of-the-art technology and user-friendly controls, the Deva makes spending time at the stove a joy. And because it features constant radiant heat, the Deva doesn't just cook your food, it warms your heart.

For a cookstove that you will cherish as much as your family traditions, the Deva reigns.



**hearthstone**  
cooking collection

DEVA

WOOD COOKSTOVE

CAST IRON

# SPECIFICATIONS

### Generous 2.47 cubic foot oven

The oven is 17.25 inches wide, 15 inches high, and nearly 17 inches deep – large enough to cook a 20 pound turkey, or bake a couple of batches of cookies and a cake with ease. The oven door's large window allows you to easily monitor the cooking process.

### Vitreoceramic cook top

Modern convenience and style, easy to keep clean, efficient heat transfer.

### 1.6 cubic foot firebox

Holds up to 32 lbs. of wood. The Deva's deep firebox allows use of logs up to 17" in length

### Single oven temperature control

Oven operation is simple, easy to control and consistent. The thermometer is located in the center of the oven's window for easy visibility, and precise temperature control. Dual unit thermometer shows Fahrenheit and Celsius degrees.

### Single air-intake control

Stove operation is easy; performance more consistent.

### Non-catalytic combustion system

No catalytic combustor to maintain.

### Top or Rear exit flue

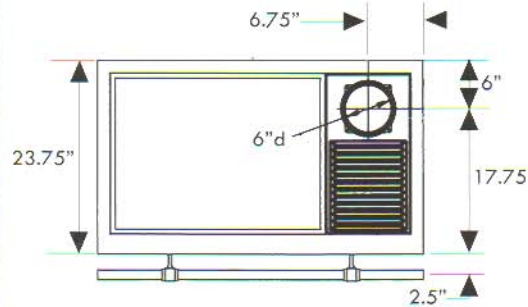
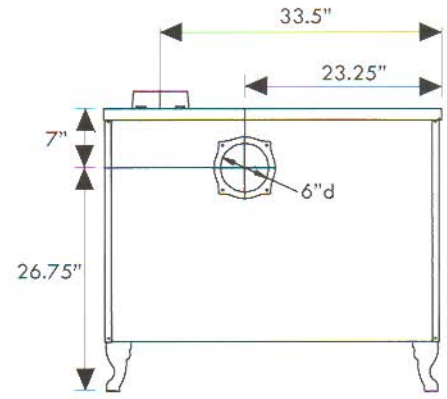
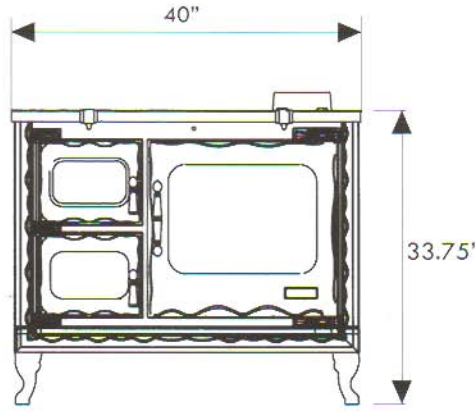
Allows for additional placement options.

**Warranty:** HearthStone Quality Home Heating Products, Inc. warrants all its wood and gas stoves and inserts to the original purchaser for the lifetime of the appliance to be free from defects in material and workmanship with certain limitations as defined in our Limited Lifetime Warranty Policy. See your HearthStone dealer for complete details and a copy of our warranty policy.

**Refer to your HearthStone Installation Manual for specific installation requirements. Contact local building or fire officials regarding installation inspection or restrictions in your area.**

**Clearances shown on this page are for reference only. Please refer to the Owner's manual for exact specifications prior to installation.**

**Specifications subject to change without notice.**



Heat output: 46,000 BTU  
Oven size:

Height 15"  
Width 17.25"  
Depth 16.5"

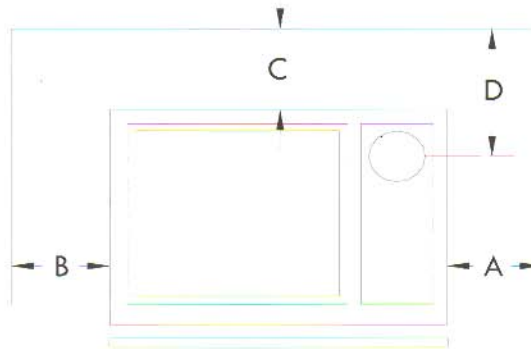
Firebox size

Height 14.5"  
Width 11.5"  
Depth 17.25"

Weight 484 lbs.

## Combustible Surface Clearance Dimensions

| Clearances | Single wall connector |      |           |      | Double wall connector |      |           |      |
|------------|-----------------------|------|-----------|------|-----------------------|------|-----------|------|
|            | Top Exit              |      | Rear Exit |      | Top Exit              |      | Rear Exit |      |
|            | (in)                  | (cm) | (in)      | (cm) | (in)                  | (cm) | (in)      | (cm) |
| A          | 10                    | 26   | 4         | 11   | 4                     | 11   | 4         | 11   |
| B          | 10                    | 26   | 4         | 11   | 4                     | 11   | 4         | 11   |
| C          | 16                    | 41   | 16        | 41   | 14                    | 36   | 16        | 41   |
| D          | 21.5                  | 55   | n/a       | n/a  | 19.5                  | 50   | n/a       | n/a  |



Minimum hearth protection must be at least 56" wide and 39-3/4"(US) 41-3/4"(CAN) deep with an R-Value of at least .89. See owner's manual for more details.



CASTING FINISH:  
Black high gloss enamel



**hearthstone**  
the HEART of YOUR HOME

On the Web: [www.hearthstonestoves.com](http://www.hearthstonestoves.com)