

INTRODUCING THE
FIREVIEW
 WOOD COOKSTOVE

by
Elmira
Stove For true originals
Works

The latest advance in the way things used to be...

The Fireview is a high-efficiency, air-tight wood-burning cookstove that is perfect for your home, cottage or camp. It serves as a high-output room heater, cooking appliance, attractive fire-viewing stove and, with the optional water jacket, a source of hot water – all using a renewable energy source. For even more cooking versatility, add the optional propane side burners.

Fireview wood-burning cookstoves... efficiency and styling you can really warm up to!

- Big 1.6 cu. ft. firebox – 30-60,000 BTU output!
- Secondary air supply for clean, efficient burn!
- 21" firebox easily accommodates 18" logs!
- Optional 11,000 BTU propane side burners!
- Spacious 3.0 cu. ft. Oven – fits a large turkey!
- Fireview door for enjoyment and fire control!



48" Model 1842-G Dual Fuel (wood/propane),
 Black with optional Nickel Victorian Trivet.



48" Model 1842-0 wood-burning,
 Black / Bisque Combination
 with optional Nickel Victorian Trivet.

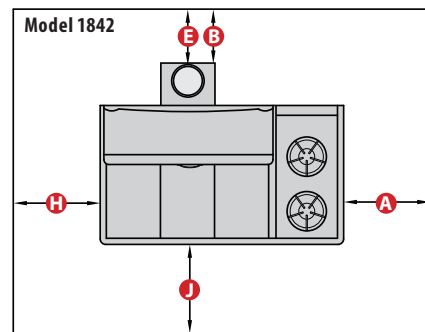
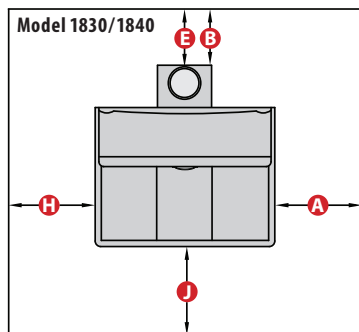


36" Model 1840 wood-burning
 with optional Nickel Victorian Trivet, Nickel
 front legs and Nickel skirt.

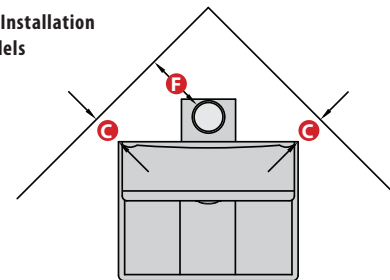


36" Model 1830 wood-burning
 "Woodstove that Cooks", Black

FIREVIEW CLEARANCES AND SPECIFICATIONS



**Corner Installation
All Models**



Model 1830/1840	A	B	C	E	F	G	H	J	Measure
No Heat Shield	10	18	13	18	18	60	18	48	inches
Using Single Wall Pipe	254	457	330	457	457	1524	457	1219	mm.
With Heat Shield	10	3	10	6	6	60	18	48	inches
Using Double Wall Pipe	254	76	254	152	152	1524	457	1219	mm.

Model 1842	A	B	C	E	F	G	H	J	Measure
No Heat Shield	3	18	13	18	18	60	18	48	inches
Using Single Wall Pipe	76	457	330	457	457	1524	457	1219	mm.
With Heat Shield	3	3	10	6	6	60	18	48	inches
Using Double Wall Pipe	76	76	254	152	152	1524	457	1219	mm.

G = vertical distance from cooking surface to combustibles above the stove.

Note: A certified double-wall stove pipe must be used to maintain 6" clearance (dimension E) from pipe to combustibles. The approved stove pipe must extend from the chimney to the stove.

Note: These are factory-recommended clearances. Local, state or provincial building and fire codes take precedence and must be observed. Clearances are subject to change without notice.

When heat shield is installed, **dimensions B and F** are taken from heat shield. ("Heat shield" refers to complete stove/-pipe shield kit.) **Dimension E** is taken from outside edge of pipe.

	1830	1840	1842-0	1842-G
OVERALL DIMENSIONS				
Width	35 3/4"	35 3/4"	49 1/2"	49 1/2"
Height	35"	67 1/4"	67 1/4"	67 1/4"
Cooking Surface Height	35"	35"	35"	35"
Depth including Flue Boot	36 5/8"	36 5/8"	36 5/8"	36 5/8"
Depth without Flue Boot or Doors (door clearance for delivery)	28 1/2"	28 1/2"	28 1/2"	28 1/2"
Assembled Weight / Shipping Weight (with skid)	375 / 394 lb.	428 / 454 lb.	450 / 485 lb.	465 / 500 lb.
Carry Weight (no doors, plates, brick, grate, cabinet, etc.)	145 lb.	145 lb.	160 lb.	165 lb.
OVEN DIMENSIONS				
Capacity		3.0 cu. ft.		
Width		18 1/4"		
Height		11 1/2"		
Depth		24 3/8"		
FIREBOX				
Flue Size		6"		
Capacity		1.6 cu. ft.		
Width		9 1/4"		
Height		13 1/2"		
Depth		22"		
Ideal Log Length		18"		
Secondary Air		YES		
Heat Output		30,000 to 60,000 BTU / Hr.		
OTHER FEATURES AND OPTIONS				
Sealed Gas Burners, 11,000 BTU Liquid Propane	N/A	N/A	N/A	2
Auto-Ignition for Gas Burners (9V Battery Powered)	N/A	N/A	N/A	YES
Overhead Warmer	N/A	Standard	Standard	Standard
Side Warmer	N/A	N/A	Standard	Standard
Fireview Door	Standard	Standard	Standard	Standard
Colors Available		Black, Black / Bisque Combination		
Nickel Door Frames	Standard	Standard	Standard	Standard
Nickel Victorian Trivet	Optional	Optional	Optional	Optional
Nickel Front Legs	Optional	Optional	Optional	Optional
Nickel Front Skirt	Optional	Optional	Optional	Optional
Nickel Side Skirts	Optional	Optional	Optional	Optional
Water Jacket	Optional	Optional	Optional	Optional
Approximate Area Heated		800-1800 sq. ft.*		
Heat Shield Kit	Optional	Optional	Optional	Optional

*figures may vary with individual conditions

Elmira Stove Works

285 Union Street, Elmira, Ontario, Canada N3B 3P1
 (519) 669-1281, Fax: (519) 669-1774, Toll Free: (800) 295-8498
 www.ElmiraStoveWorks.com